

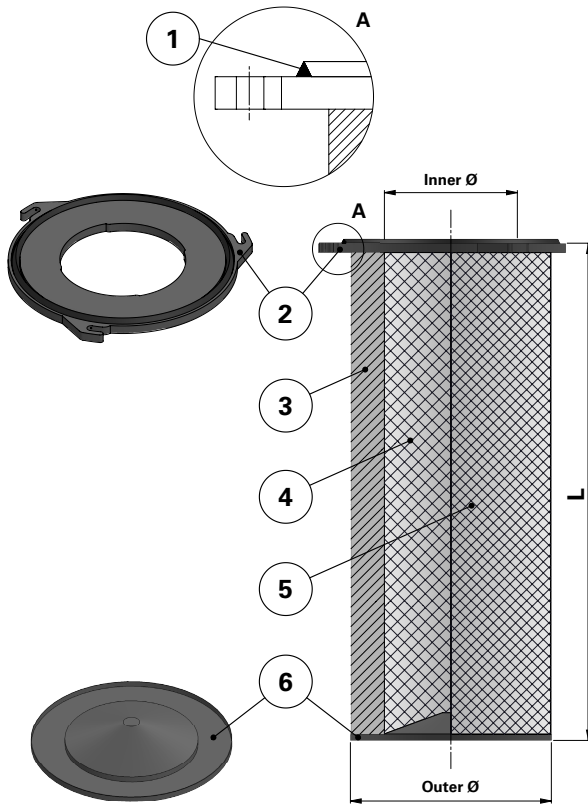
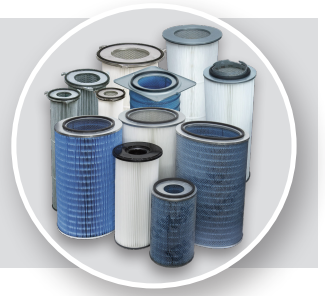


Donaldson  
FILTRATION SOLUTIONS

## DATA SHEET

### Replacement Elements

Cartridges – Series 214 Quick Fix 3 Hook



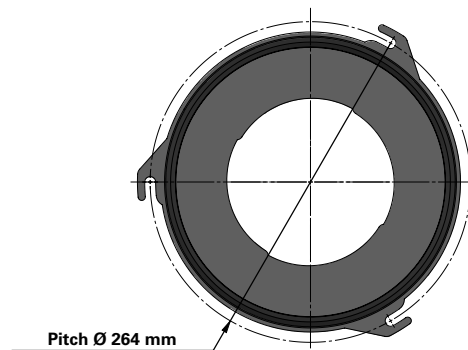
### Series 214 Quick Fix 3 Hook

Cartridge Filter with open top end cap with 3 hooks, 264 mm pitch diameter and closed bottom end cap

Special features: Dirty Air Plenum installation for GEA Niro and other brands of cartridge collectors

With outer liner

### Top end cap quick fix



Item	Description
1	Gasket above top end cap
2	Top end cap quick fix
3	Media pack
4	Inner liner
5	Outer liner
6	Bottom end cap closed

### Dimensions [mm]

Outer Ø	214
Inner Ø	146
L	983
Pitch Ø	264